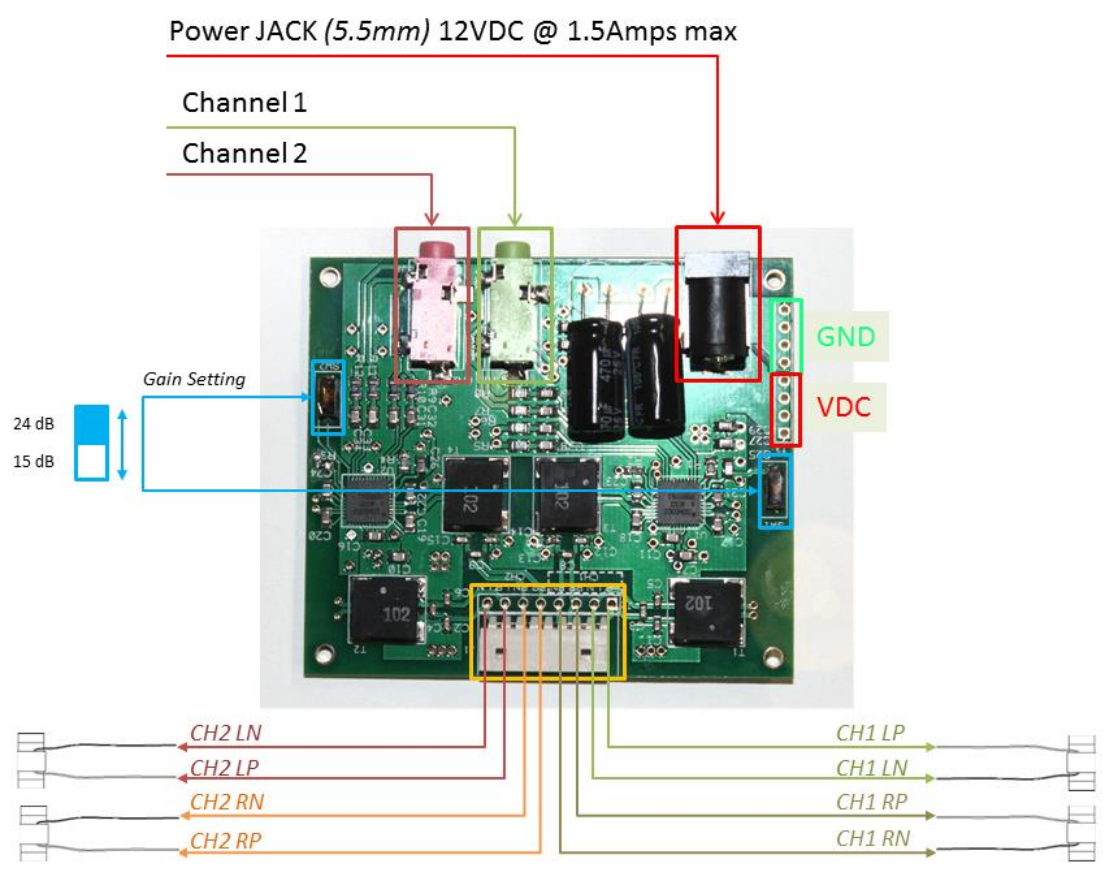
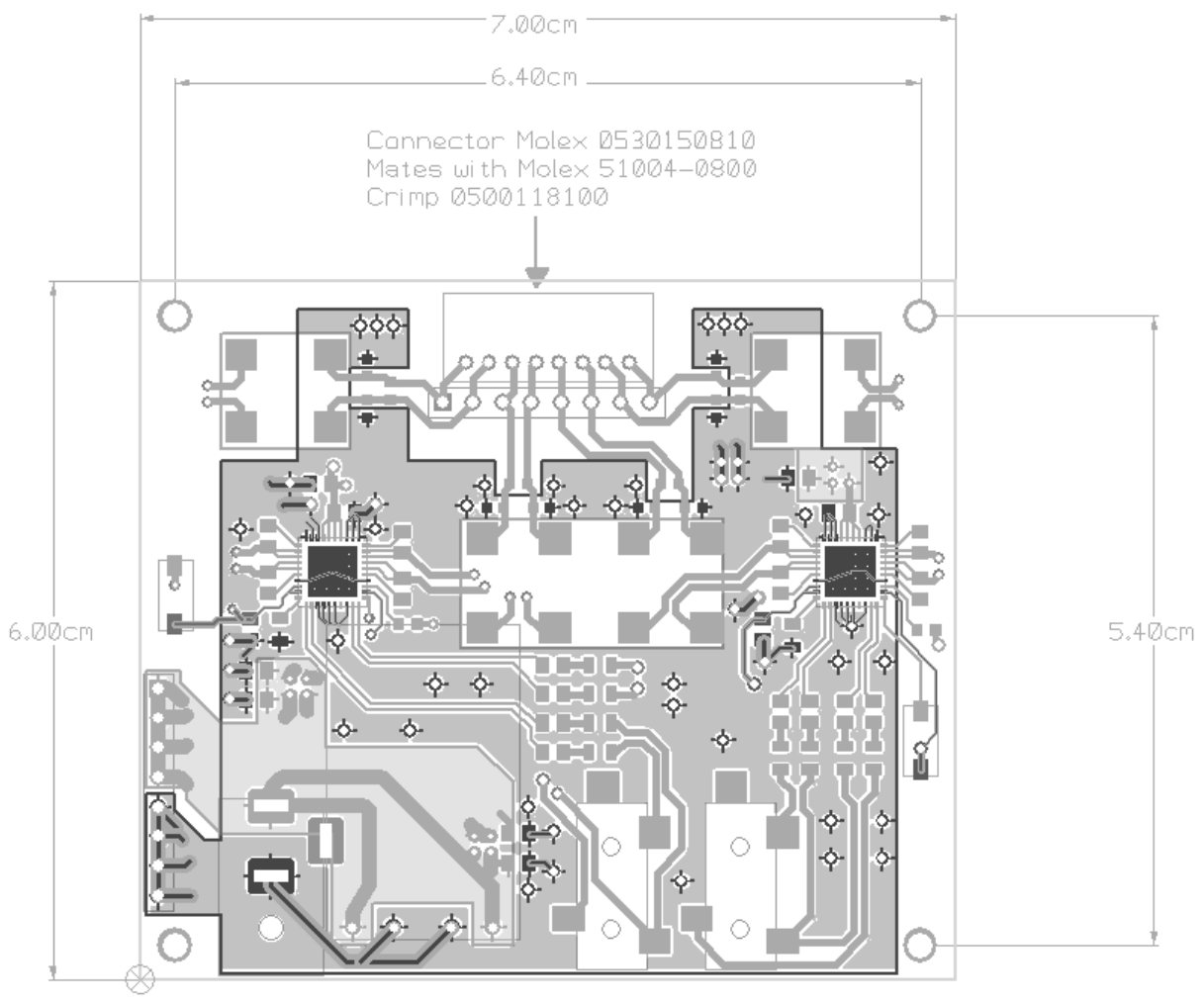


Multi-Channel Amplifier for Haptuator (TL002-HaptuQuadAmp)

- >90% efficiency at 12 V, 8 W into Haptuators, can drive up to 12W into an Haptuator with < 1% THD (some restrictions apply)
- Single-supply operation from 7 V to 18 V
- High and low gain via a DIP-switch. Up to 24 dB of gain
- Short-circuit and thermal protection
- Molex Pico-Blade output connector for up to 4 Haptuators connectivity
- Four channel inputs via 2 stereo jack





info@tactilelabs.com
www.tactilelabs.com